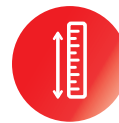


TRUCK-MOUNTED CONCRETE PUMP SYG5341THB 470C-10(SL)



Highly Reliable

- SANY has World-class lighthouse factories with top-level manufacturing capability, assuring reliable quality.
- Careful matching of components ensures stable performance of the whole machine.



Strong Pumping

- Single-button high/low pressure switch
- Multiple upgrades assure high suction rate
- Significant advantage in pumping efficiency



Extremely Economical

- The industry-leading longest service life of wear parts
- Advanced fuel combustion technology
- Targeted upgrades for different working conditions

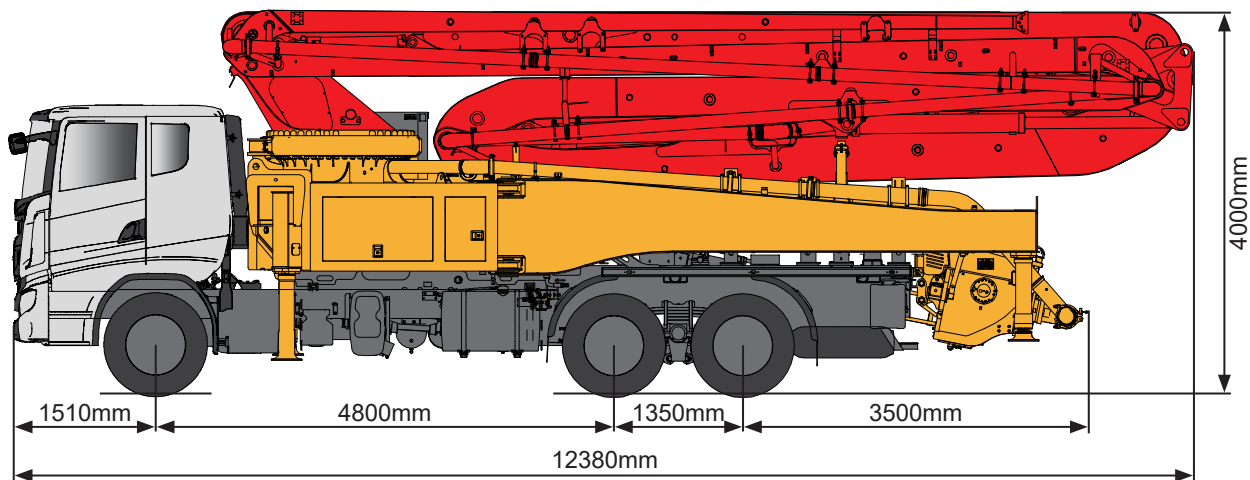


Ultimate User Experience

- Comfortable cab comparable to passenger car experience
- Multi-language human-machine interface
- Easy-maintenance



TECHNICAL SPECIFICATION



Note: standard dimensions version for SANY SYG5340THB 470C-10

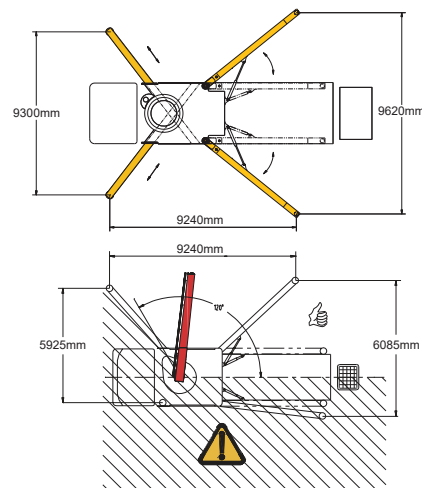
TECHNICAL DATA

Boom

Vertical reach	47 m
Horizontal reach	42 m
Depth reach	29.3 m
Unfolded reach	13.9 m
Rotation	± 360 °
Front outrigger spread L-R	9300 mm
Rear outrigger spread L-R	9620 mm
End hose length	3 m
End hose diameter	125 mm
Pipeline size	125 mm

Pumping system

Output	200 m ³ /h (137 m ³ /h)
Pressure	12 MPa (8.3 MPa)
Delivery cylinder diameter	260 mm
Stroke length	1900 mm
Hydraulic system	Open
Hydraulic system oil pressure	32 MPa
Oil tank capacity	680 L
Water tank capacity	620 L
Drive pump	Rexroth/Danfoss
Volume of hopper	700 L



DELIVERY & CONFIGURATIONS

Chassis

Brand: SANY
Model: SYM5350THB1E
Engine type: D12C5-490E0
Engine max net power: 348/1900 kW/rpm
Emission standard: Euro V (Euro III adjustable)
Capacity of fuel tank: 600 L
Displacement: 12.12 L
Max. speed: 90 km/h

Functions

Agitator rotation, 2 direction
Single-button double piston return
Single-button high/low pressure switch
Auto-lubrication for core pump

Safety

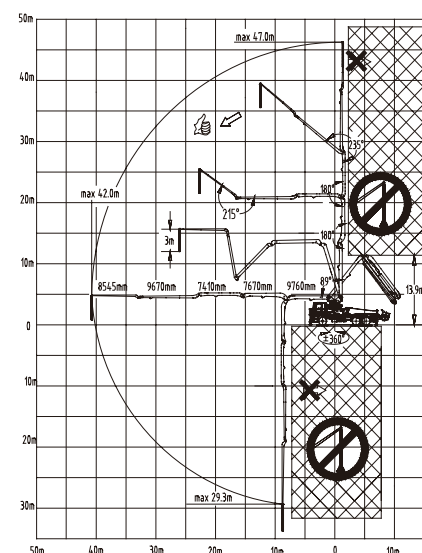
Mushroom button for horn, yellow
Emergency stop × 5
Hopper plate

Cleaning

Sponge balls
High-pressure water pump

Others

Remote control System, wired (optional)
Industrial display control screen 7" (optional)
Operating manual
MachineLink+ APP/web connected
7 × 24 service with no worry



www.sanyglobal.com

SANY Industrial Park, Economic and Technological Development Zone,
Changsha, Hunan, China, 410100
Sales Hotline
Tel: 0086-731-85835199
Mail: sales@sanyglobal.com

Service Hotline
Tel: 0086-4006098318
Mail: CRD@sany.com.cn

The product configuration (including technical parameters) is subject to change and the delivered actual machine without notice.